

Rubidium Frequency Standard

High Stability Under Vibration

The **AR133-03** is a ruggedized version of Rubidium Frequency Standard model AR133A which is designed for airborne applications. A vibration isolator included in the AR133A-03 enables the unit to maintain high frequency stability and accuracy in vibration environments such as airborne platforms



Key Features

- Short term stability: $< 1.2E-11$ @ 1s (typical, improved version)
- Phase noise: -159dBc/Hz floor (typical)
- Outputs: 10MHz and 1PPS
- Input: 1PPS for disciplining
- Supply voltage: 15 VDC
- Steady state power $< 8W$
- Size: 77mm x 77 mm x 49.65 mm
- Vibration isolated

Description

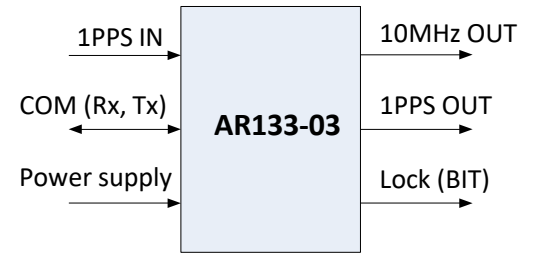
The **AR133-03** features very fast warm-up and could be disciplined to an external 1PPS from GPS or other sources. It is one of the smallest, high performance disciplined rubidium frequency standards available today. The AR133-03 is comprised of a unique *DFLL (Digital Frequency Lock Loop)* where a high performance crystal oscillator is locked to the rubidium atomic line using an embedded microprocessor and a special patented algorithm.

Applications

All specs are @ 25°C, quiescent conditions and sea level ambient unless otherwise specified

Specifications

Input & Outputs	
Outputs	10MHz sine wave +12±2 dBm into 50Ω
	1PPS, 3V TTL into 50Ω Rise time < 10nSec Pulse width < 20µSec (in AR133A-03-02 the pulse width is 400µSec)
Input	1PPS TTL 50Ω
Monitor & Control	RS-232 control and monitor interface provides: ID, Status, frequency adjustment. Protocol: 9600, 1, 8, 1, no parity for details see software ICD
	Digital frequency adjustment: 7.6E-13 steps over > 5E-7 range



Performance					
Frequency	Short Term Stability	Improved Version (*)	<1.5E-11 @ 1 second (typical < 1.2E-11 @ 1 second) < 2E-11 @ 1sec – under vibration		
		Standard Version (*)	< 3E-11 @ 1 second		
	Phase Noise		Quiescent	Quiescent (Typical)	Under Vibration (Typical) (see also the Phase Noise plots below)
			<-110 dBc/Hz @ 10Hz <-135 dBc/Hz @ 100Hz <-150 dBc/Hz @ 1kHz <-155 dBc/Hz @ 10kHz	<-121 dBc/Hz @ 10Hz < -146 dBc/Hz @ 100Hz < -156 dBc/Hz @ 1kHz < -159 dBc/Hz @ 10kHz	<- 121dBc/Hz @ 10Hz <- 125 dBc/Hz @ 100Hz <- 145dBc/Hz @ 1kHz <- 159dBc/Hz @ 10kHz
			< -50 dBc (up to 70MHz)		
			< -105 dBc in the range 10Hz to 100kHz from carrier		
	Warm-up	Standard Version (*)	< 5E-8 (Lock) within 4 minutes @ 25°C ±5E-10 within 5 minutes @ 25°C		
		Improved Version (*)	Typical time to lock 2.5 minutes @ 25°C		
	Retrace		< ±5E-11 with On-Off-On cycle: 24 hours, 48 hours, 12 hours		
	Accuracy @ Shipment		< 5E-11		
	Magnetic Field Sensitivity		< 8E-11 / gauss up to 3 gauss DC (worst direction)		
	Long Term Stability (Free run Rubidium aging)		<±5E-10 / year (after 3 month operation) (for improved aging contact factory)		
	Accuracy under disciplining		Disciplined to external 1PPS - <±1E-11 (averaging from 30-90 minutes after power up)		
	Temperature Stability and Range		±3E-10 relative to 25°C over -20°C to +65°C (up to 70°C in the improved version)		
Time Accuracy (1PPS)	Long- Term Accuracy		±100ns (±50ns typ.) RMS relative to external 1PPS when disciplined	≤±1µs / 24 hrs. in holdover (typical) (after 4 hours of disciplining before holdover)	
Power Consumption		@ Steady-state	< 8W @ 25°C		
		@ Warm-up	< 16W@ 25°C		

All specs are @ 25°C, quiescent conditions and sea level ambient unless otherwise specified

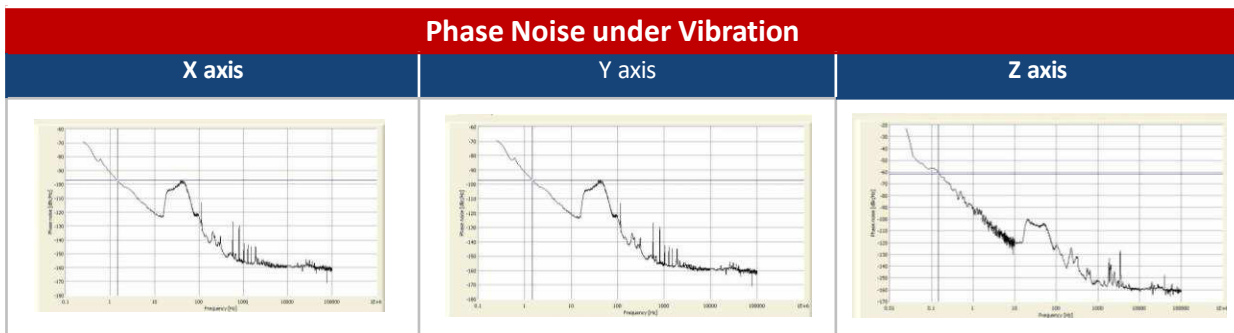
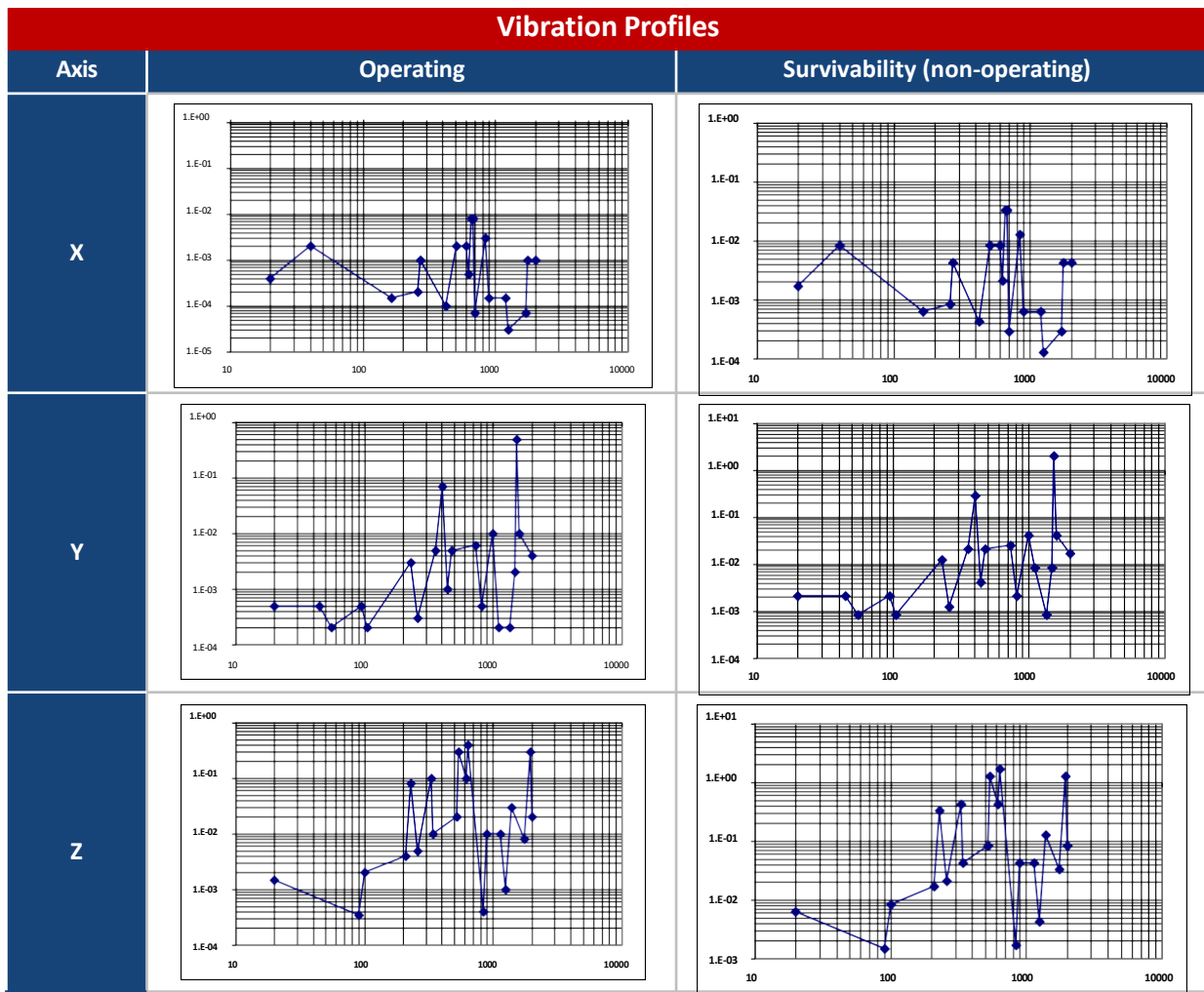
Power Supply, Dimensions & Weight	
DC	15±0.3 VDC
Size	77mm (width) x 77mm (depth) x 49.65 mm (high) – for details see mechanical ICD
Weight	≤ 360g

BIT and Remote Control	
Built In Test (BIT)	The Built in Test detects > 95% of all failures. Detected via pin number 3 in the D Type connector - open collector (10mA max). High impedance = BIT Fail; short to ground = BIT Pass & Lock. BIT also is obtained also via the serial communication (see software ICD)

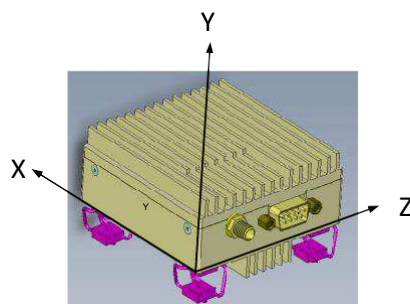
Environmental	
Operating Temperature	-20°C to +65 °C (up to 70°C in the improved version)
Storage Temperature	-40°C to +85°C
Humidity	95% at 35°C, non-condensing
Acceleration	9g operation, 17g non-operating
Vibration	See graphs below

Vibration Levels (g RMS)		
Axis	Operation	Survivability
X	1.1079	2.2713
Y	4.5346	9.2958
Z	8.376	17.1708

All specs are @ 25°C, quiescent conditions and sea level ambient unless otherwise specified

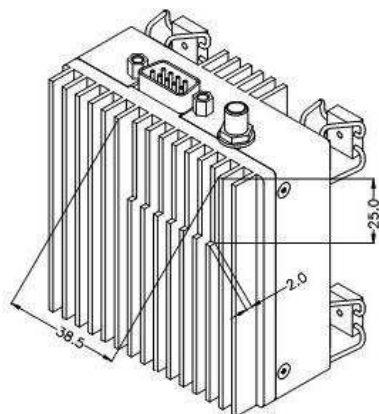
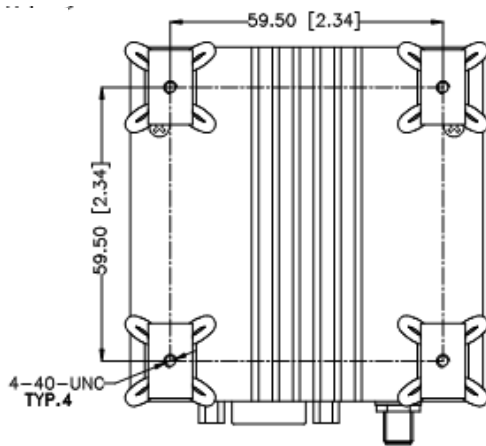
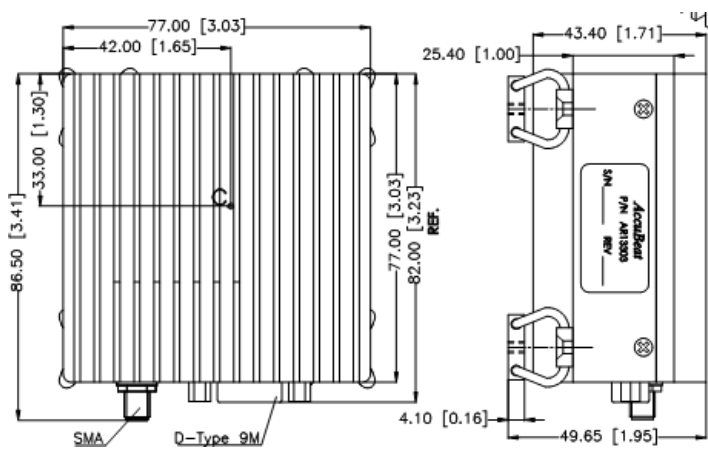
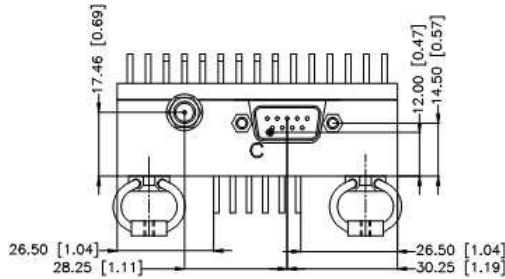


(*) The above plots are measurement results obtained with one of the units



All specs are @ 25°C, quiescent conditions and sea level ambient unless otherwise specified

Mechanical & Electrical ICD



D-Type subminiature 9 pins (male):

- Pin 1 – Supply
- Pin 2 – GND
- Pin 3 – Lock (BIT)
- Pin 4 – 1PPS IN
- Pin 5 – Factory use
- Pin 6 – TxD
- Pin 7 – Factory use
- Pin 8 – 1PPS Out
- Pin 9 – RxD

SMA: RF Out

NOTE:

Please pay intension to the mechanical structure of the unit, especially to the fins in the bottom side of the unit.

All specs are @ 25°C, quiescent conditions and sea level ambient unless otherwise specified

The customer should take in account the sway of the unit caused under vibration and shock conditions.

HOW TO ORDER		
Description	AccuBeat P/N	Note
Standard	AR13303-01	AR133A WITH VIB. ISOLATOR, STANDARD PERFORMANCE
Improved	AR13303-02	AR133A WITH VIB. ISOLATOR, IMPROVED PERFORMANCE

ACCESSORIES (OPTION)		
Description	AccuBeat P/N	Note
GUI (Graphic User Interface)	SW50029	CUSTOMER GUI FOR AR133A
Operation cable	AC50549	OPERATION CABLE FOR AR133A WITH RS232 COM.

AccuBeat Ltd, 5 Ha'Marpeh St., Har Hotzvim, P.O.Box 45012, Jerusalem 91450, Israel
 Tel: +972-2-5868330, Fax: +972-2-5868550, E-Mail: marketing@accubeat.com
<http://www.accubeat.com>